

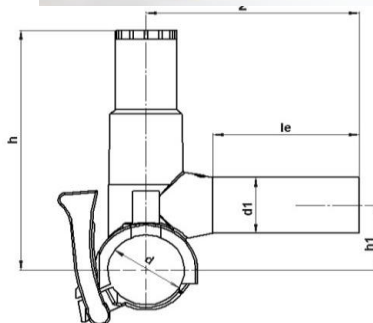
EF SMART TEE

04 Update - 01/2023

TECHNICAL DATA

Article No	001 117 2075 0068
d (mm)	63
d1 (mm)	20
le (mm)	75
h (mm)	163
h1 (mm)	48
Z (mm)	111
L (mm)	120
Weight (Kg)	0,370
Box Quantity (pcs)	20
Box Dimension (mm)	55x30x36

INJECTION MOULDED



IDENTIFICATION OF PRODUCT

D(mm)	63-20
SDR	11
RAW MATERIAL	PE 100
PRESSURE CLASS	16 Bar Water 10 Bar Gas
TRADEMARK	NTG
EXECUTION	Injection Moulded
STANDARD	EN 12201-3 EN 1555-3 AS / NZS 4129

SPECIFICATION	Suitable for SDR11 pipe Injected monobloc type 4 mm pin connectors Long Fusion outlet Hexagon wrench 17 mm O-ring sealed screw cap Stainless Steel cutters
---------------	--

EF SPECIFICATION

WELDING VOLTAGE	40 V
RESISTANCE	7,3 Ω
WELDING TIME	75 Sec.
COOLING TIME	15 Min.
WINDING TYPE	Monofilar

WELDING BARCODE



941420321553407305075112

Tolerance on diameters and thickness according to the standards. The other dimensions are specialized. Tolerance $\pm 5\%$. NTG PLASTIK reserves all the right to change any information without giving prior notice. The production, distribution and utilization of this document without explicit authorization is prohibited.