

# TECHNICAL DATASHEET



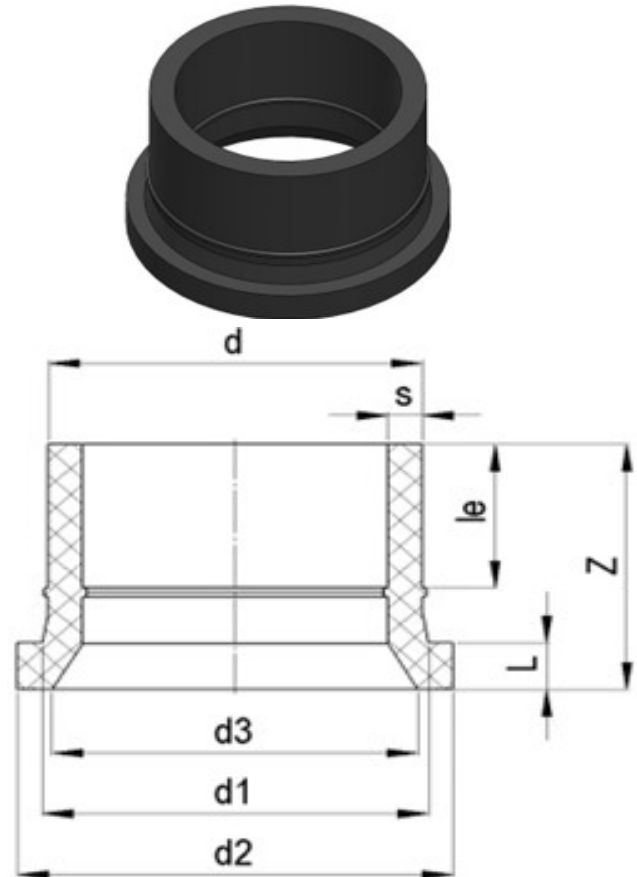
## FLANGE ADAPTOR

03 Update - 06/2022

### TECHNICAL DATA

Article No	001 117 5100 0500
d (mm)	500
d1 (mm)	530
d2 (mm)	590
d3 (mm)	494
le (mm)	212
L (mm)	60
Z (mm)	354
s (mm)	45,5
Weight (Kg)	25,650
Box Quantity (pcs)	1
Box Dimension (cm)	

### INJECTION MOULDED



### IDENTIFICATION OF PRODUCT

D(mm)	500
SDR	11
RAW METARIAL	PE 100
PRESSURE CLASS	16 Bar Water
TRADEMARK	NTG
EXECUTION	Injection Moulded+Pipe Extended
STANDARD	EN 12201-3

### SPECIFICATION

- Long Spigot
- Suitable for butterfly valve
- Chamfered finish, where d3 size is given
- Extended with PE100 Pipe
- Suitable for ansi flange

Tolerance on diameters and thickness according to the standards. The other dimensions are specialized. Tolerance  $\pm 5\%$ . NTG PLASTIK reserves all the right to change any information without giving prior notice. The production, distribution and utilization of this document without explicit authorization is prohibited.

Fr 161 Rev 00