

TRANSITION ADAPTOR PE-PE

03 Update - 06/2023

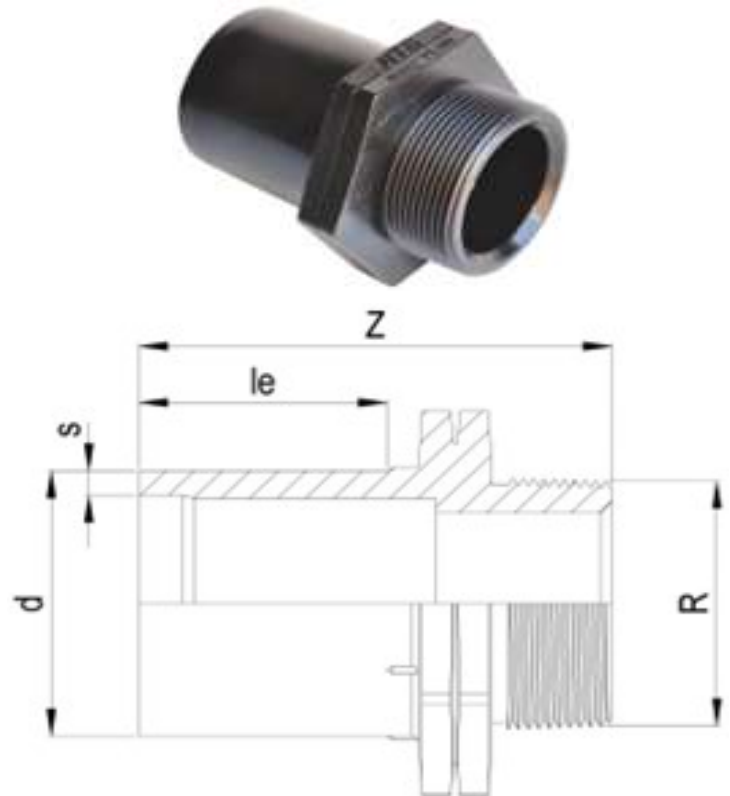
TECHNICAL DATA

Article No	001 117 6210 0050
d (mm)	50
R (inch)	1½"
le (mm)	49
Z (mm)	88
s (mm)	4,6
Weight (Kg)	0,095
Box Quantity (pcs)	25
Box Dimension (pcs)	27,5x24x23

IDENTIFICATION OF PRODUCT

D	50x1½"
PN	10
RAW METARIAL	PE 100
PRESSURE CLASS	10 Bar Water
TRADEMARK	NTG
EXECUTION	Injection Moulded
STANDARD	EN 12201-3

INJECTION MOULDED



SPECIFICATION

Long Spigot

Tolerance on diameters and thickness according to the standards. The other dimensions are specialized. Tolerance $\pm 5\%$. NTG PLASTIK reserves all the right to change any information without giving prior notice. The production, distribution and utilization of this document without explicit authorization is prohibited.