

# TECHNICAL DATASHEET



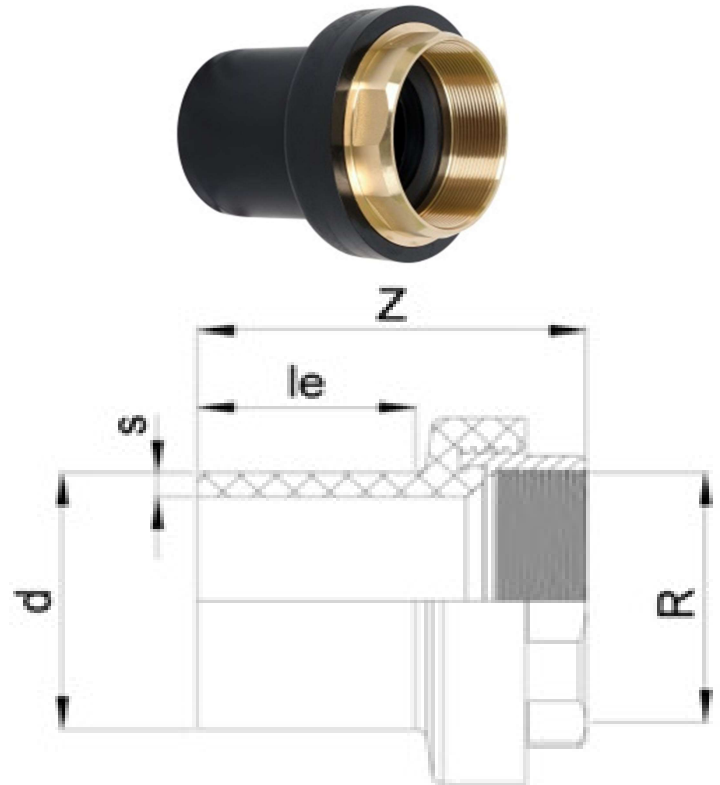
## TRANSITION ADAPTOR PE-BRASS

03 Update - 06/2023

### TECHNICAL DATA

|                        |                   |
|------------------------|-------------------|
| Article No             | 001 117 6206 0050 |
| d<br>(mm)              | 50                |
| R<br>(inch)            | 1½"               |
| le<br>(mm)             | 59                |
| Z<br>(mm)              | 111               |
| s<br>(mm)              | 4,6               |
| Weight<br>(Kg)         | 0,375             |
| Box Quantity<br>(pcs)  | 32                |
| Box Dimension<br>(pcs) | 27,5x24x23        |

### INJECTION MOULDED



### IDENTIFICATION OF PRODUCT

|                |  |
|----------------|--|
| D              | 50x1½"                                 |
| PN             | 16                                     |
| RAW METARIAL   | PE 100                                 |
| PRESSURE CLASS | 16 Bar Water 10 Bar Gas                |
| TRADEMARK      | NTG                                    |
| EXECUTION      | Injection Moulded                      |
| STANDARD       | DVGW G5600-1<br>DVGW GW 335<br>12201-3 |

### SPECIFICATION

Long Spigot

Tolerance on diameters and thickness according to the standards. The other dimensions are specialized. Tolerance  $\pm 5\%$ . NTG PLASTIK reserves all the right to change any information without giving prior notice. The production, distribution and utilization of this document without explicit authorization is prohibited.