

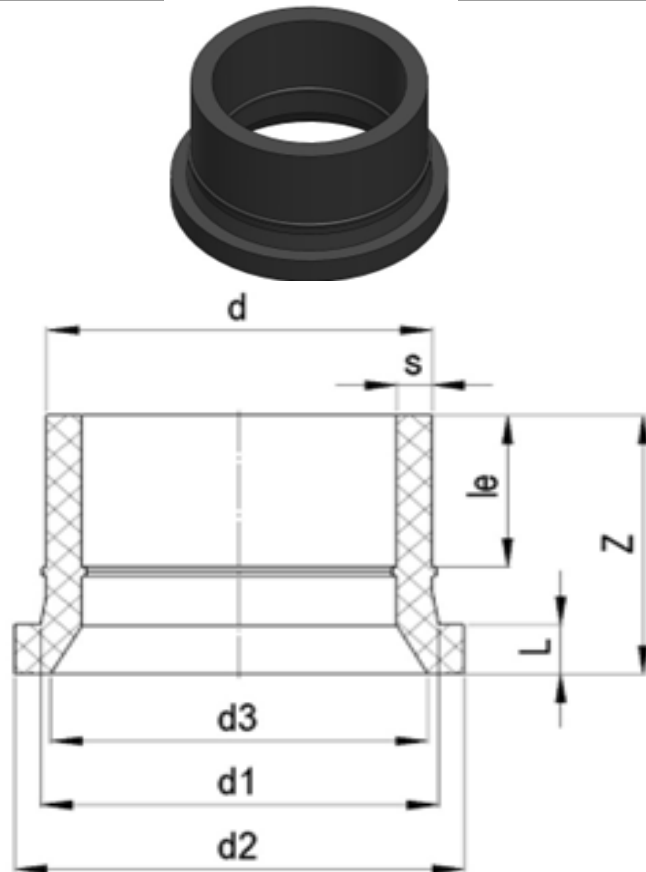
FLANGE ADAPTOR

03 Update - 06/2022

TECHNICAL DATA

Article No	001 115 5100 0450
d (mm)	450
d1 (mm)	465
d2 (mm)	545
d3 (mm)	442
le (mm)	195
L (mm)	45
Z (mm)	335
s (mm)	26,7
Weight (Kg)	14,270
Box Quantity (pcs)	1
Box Dimension (cm)	

INJECTION MOULDED



IDENTIFICATION OF PRODUCT

D(mm)	450(DN450)
SDR	17
RAW METARIAL	PE 100
PRESSURE CLASS	10 Bar Water
TRADEMARK	NTG
EXECUTION	Injection Moulded+Pipe Extended
STANDARD	EN 12201-3

SPECIFICATION

Long Spigot
 Suitable for butterfly valve
 Chamfered finish, where d3 size is given
 Extended with PE100 Pipe
 Suitable for ansi flange

Tolerance on diameters and thickness according to the standards. The other dimensions are specialized. Tolerance $\pm 5\%$. NTG PLASTIK reserves all the right to change any information without giving prior notice. The production, distribution and utilization of this document without explicit authorization is prohibited.