

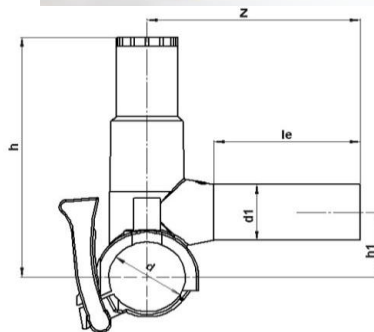
EF SMART TEE

04 Update - 01/2023

TECHNICAL DATA

Article No	001 117 2075 0042
d (mm)	40
d1 (mm)	25
le (mm)	76
h (mm)	144
h1 (mm)	37
Z (mm)	111
L (mm)	117
Weight (Kg)	0,290
Box Quantity (pcs)	30
Box Dimension (cm)	55x30x36

INJECTION MOULDED



IDENTIFICATION OF PRODUCT

D(mm)	40-25
SDR	11
RAW MATERIAL	PE 100
PRESSURE CLASS	16 Bar Water 10 Bar Gas
TRADEMARK	NTG
EXECUTION	Injection Moulded
STANDARD	EN 12201-3 EN 1555-3 AS / NZS 4129

EF SPECIFICATION

WELDING VOLTAGE	40 V
RESISTANCE	10,5 Ω
WELDING TIME	50 Sec.
COOLING TIME	10 Min.
WINDING TYPE	Monofilar

WELDING BARCODE



SPECIFICATION

Suitable for SDR11 pipe
 Injected monobloc type
 4 mm pin connectors
 Long Fusion outlet
 Hexagon wrench 12 mm
 O-ring sealed screw cap
 Stainless Steel cutters

Tolerance on diameters and thickness according to the standards. The other dimensions are specialized. Tolerance ± 5%. NTG PLASTIK reserves all the right to change any information without giving prior notice. The production, distribution and utilization of this document without explicit authorization is prohibited.