

TECHNICAL DATASHEET



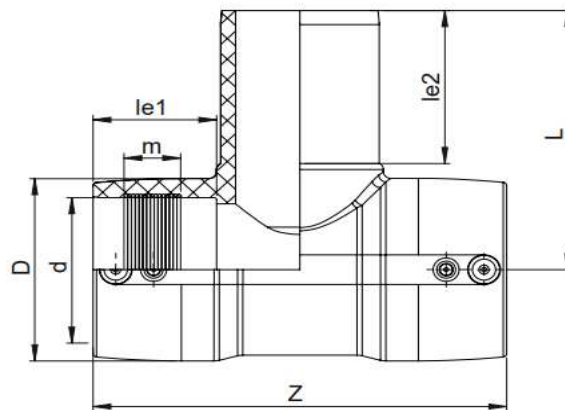
EF TEE 90°

04 Update - 04/2024

TECHNICAL DATA

Article No	001 117 2041 0040
d (mm)	40
D (mm)	54
Z (mm)	131
L (mm)	97
le1 (mm)	43
le2 (mm)	60
m (mm)	18
Weight (Kg)	0,170
Box Quantity (pcs)	30
Box Dimension (cm)	35,5x35,5x27,5

INJECTION MOULDED



IDENTIFICATION OF PRODUCT

D(mm)	40
SDR	11
RAW MATERIAL	PE 100
PRESSURE CLASS	16 Bar Water 10 Bar Gas
TRADEMARK	NTG
EXECUTION	Injection Moulded
STANDARD	EN 12201-3

SPECIFICATION	Suitable for SDR9...11 pipe 4 mm pin connectors
---------------	--

EF SPECIFICATION

WELDING VOLTAGE	40V
RESISTANCE	3,80 Ω
WELDING TIME	50 Sec.
COOLING TIME	10 Min.
WINDING TYPE	Monofilar

WELDING BARCODE



971420310403403804050114

Tolerance on diameters and thickness according to the standards. The other dimensions are specialized. Tolerance $\pm 5\%$. NTG PLASTIK reserves all the right to change any information without giving prior notice. The production, distribution and utilization of this document without explicit authorization is prohibited.