

# TECHNICAL DATASHEET



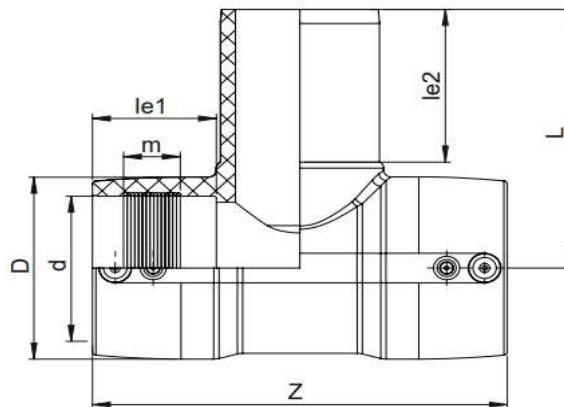
## EF TEE 90°

04 Update - 04/2024

### TECHNICAL DATA

Article No	001 117 2041 0032
d (mm)	32
D (mm)	44
Z (mm)	104
L (mm)	90
le1 (mm)	37
le2 (mm)	60
m (mm)	16,5
Weight (Kg)	0,096
Box Quantity (pcs)	50
Box Dimension (cm)	35,5x35,5x27,5

### INJECTION MOULDED



### IDENTIFICATION OF PRODUCT

D(mm)	32
SDR	11
RAW MATERIAL	PE 100
PRESSURE CLASS	16 Bar Water 10 Bar Gas
TRADEMARK	NTG
EXECUTION	Injection Moulded
STANDARD	EN 12201-3

SPECIFICATION	Suitable for SDR9...11 pipe 4 mm pin connectors
---------------	--

### EF SPECIFICATION

WELDING VOLTAGE	40V
RESISTANCE	3,57 Ω
WELDING TIME	32 Sec.
COOLING TIME	10 Min.
WINDING TYPE	Monofilar

### WELDING BARCODE



971420310323403574032117

Tolerance on diameters and thickness according to the standards. The other dimensions are specialized. Tolerance  $\pm 5\%$ . NTG PLASTIK reserves all the right to change any information without giving prior notice. The production, distribution and utilization of this document without explicit authorization is prohibited.