

TECHNICAL DATASHEET



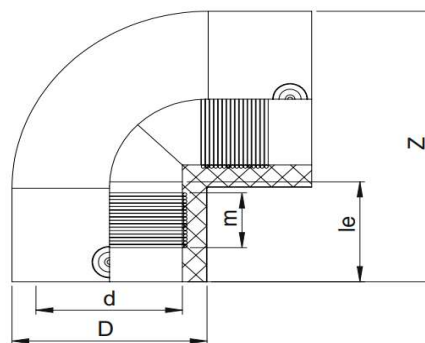
EF ELBOW 90°

04 Update - 06/2023

TECHNICAL DATA

Article No	101 117 2021 0020
d (mm)	20
D (mm)	30
Z (mm)	77
le (mm)	40
m (mm)	22,7
Weight (Kg)	0,060
Box Quantity (pcs)	40
Box Dimension (cm)	29x48x20

INJECTION MOULDED



IDENTIFICATION OF PRODUCT

D(mm)	20
SDR	11
RAW MATERIAL	PE 100
PRESSURE CLASS	16 Bar Water 10 Bar Gas
TRADEMARK	NTG
EXECUTION	Injection Moulded
STANDARD	EN 12201-3 EN 1555-3 AS / NZS 4129
SPECIFICATION	Suitable for SDR11 pipe 4 mm pin connectors

EF SPECIFICATION

WELDING VOLTAGE	40 V
RESISTANCE	4,34 Ω
WELDING TIME	25 Sec.
COOLING TIME	5 Min.
WINDING TYPE	Monofilar
WELDING BARCODE	



981420300203994345025119

Tolerance on diameters and thickness according to the standards. The other dimensions are specialized. Tolerance $\pm 5\%$. NTG PLASTIK reserves all the right to change any information without giving prior notice. The production, distribution and utilization of this document without explicit authorization is prohibited.